

Fast, safe, efficient ballast installation

The IDEAL PowerPlug™ is perfect for new lighting installations and retrofit lighting applications. It's the first push-in luminaire disconnect that fully meets the National Electrical Code for non-residential fluorescent fixtures with ballasts.

2005 NEC 410.73(G), 2008 NEC 410.130(G)

Fits through 1/2" knockout

Both halves are "touch-safe" per UL 2459

Patented IDEAL push-in technology quickly locks wires in place



Luminaire Disconnect

FAST FACT:

The PowerPlug™ allows safe disconnect of hot and neutral ballast wiring.



6 Amp/600V



102
2-Wire

3 Amp/120V



103
3-Wire

3 Amp/120V



182
2-Wire

3 Amp/120V



183
3-Wire

PowerPlug™ 102: 6 Amps/600 Volts Max.

Wire Range	Line Side/Ballast Side
Solid	#12 – #18
Stranded	#12 – #14 (19 strand or less)
Stranded	#12 – #14 (19 strand or less)
Tin-Bonded	#16 (26 strand or less) #18 (16 strand or less)

PowerPlug™ 103: 3 Amps/120 Volts Max.

Wire Range	Line Side	Ballast Side
Solid	#12 – #18	#18
Stranded	#12 – #14 (19 strand or less)	None
Stranded	#12 – #14 (19 strand or less)	#18 (16 strand or less)
Tin-Bonded	#16 (26 strand or less) #18 (16 strand or less)	

PowerPlug™ 182/183: 3 Amps/120 Volts Max.

Wire Range	Line Side/Ballast Side
Solid	#18

PowerPlug™
LUMINAIRE DISCONNECT



PowerPlug™ Luminaire Disconnect



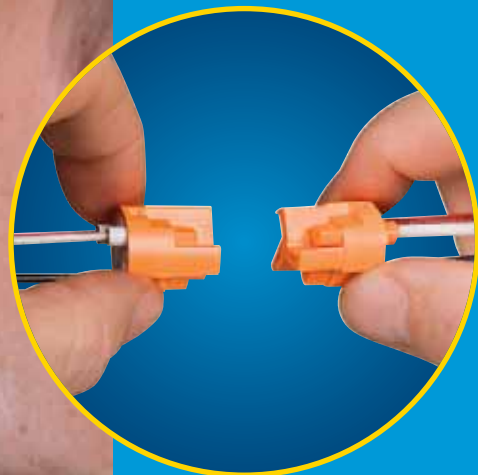
2-Wire
6 Amp/600V



3-Wire
3 Amp/120V

powerplug™

- *The first push-in disconnect to meet the new NEC and CEC code changes for non-residential fluorescent luminaires*
- *Perfect for OEM or retrofit lighting installations*
- *Meets UL and CSA finger-probe safety requirements*
- *Allows safe disconnect of hot and neutral ballast wiring*
- *Push-in technology results in quicker connections, saves time and increases productivity*



The three-wire model allows for switching and dimming applications.



PowerPlug™ Luminaire Disconnect



The IDEAL PowerPlug™ Luminaire Disconnect is the first push-in disconnect that fully meets the 2008 National Electrical Code 410.130(G), 2005 NEC 410.73(G) and Canadian Electrical Code 30-308(4) for non-residential fluorescent luminaires.

powerplug™ PowerPlug helps reduce electrical shock hazard during ballast replacement by safely disconnecting hot and neutral ballast wiring. Both halves of PowerPlug meet UL 2459 and CSA 182.3 finger-probe safety requirements.

The advanced push-in technology of PowerPlug™ is compatible with solid or stranded wire. Available in 2-wire and 3-wire models, the PowerPlug Luminaire Disconnect provides fast, efficient ballast connections resulting in reduced installation times and improved labor savings.



Color-coded ends: ballast side (white) and line side (orange)

3/8" strip length indicator

Fits through 1/2" knockout

Disconnects safely, "touch-safe" per UL 2459

Black ringed port indicates hot lead

Allows for switching and dimming applications

Patented IDEAL push-in technology quickly locks wires in place

PowerPlug™ 2-Wire	Cat. No.
Model 102, Card of 25	30-372
Model 102, Jar of 75	30-382J
Model 102, Jar of 150	30-352J
Model 102, Carton of 1,000	30-102

PowerPlug™ 2-Wire Specifications

Electrical Rating	Wire Range	Line Side/Ballast Side
6 Amps/600 Volts Max.	Solid	#12 – #18
	Stranded	#12 – #14 (19 strand or less)
	Stranded Tin-Bonded	#12 – #14 (19 strand or less) #16 (26 strand or less) #18 (16 strand or less)



PowerPlug™ 3-Wire	Cat. No.
Model 103, Card of 20	30-383
Model 103, Jar of 50	30-383J
Model 103, Jar of 100	30-353J
Model 103, Carton of 1,000	30-103

PowerPlug™ 3-Wire Specifications

Electrical Rating	Wire Range	Line Side	Ballast Side
3.0 Amps/120 Volts 1.3 Amps/277 Volts 1.0 Amps/347 Volts .75 Amps/480 Volts .60 Amps/600 Volts	Solid	#12 – #18	#18
	Stranded	#12 – #14 (19 strand or less)	None
	Stranded Tin-Bonded	#12 – #14 (19 strand or less) #16 (26 strand or less) #18 (16 strand or less)	#18 (16 strand or less)

IDEAL INDUSTRIES, INC.
Becker Place, Sycamore, IL 60178, USA / 815-895-5181 • 800-435-0705 in USA

International offices: Australia • Brazil • Canada • China • Germany • Mexico • UK
For complete sales office contact information, visit us at:
www.idealindustries.com

Rev. 6/08
Form No. P-2733
Printed in USA

©2008 IDEAL INDUSTRIES, INC.



30-102
30-103

PowerPlug™ Luminaire Disconnect - Models 102 & 103

Installation Instructions:

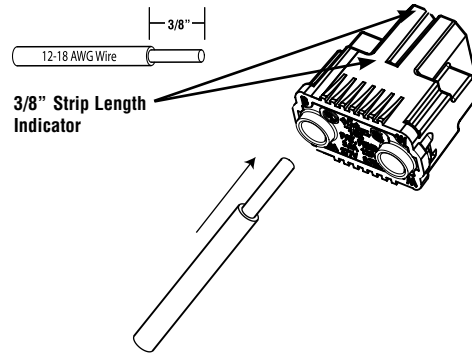
To be sold only with installation instructions.

! WARNING: This is a current rated device. Use in applications involving amperage beyond its rating can be dangerous and cause electrical fires. See table on this page for allowable current at various voltage levels and do not exceed those levels.

Instructions:

Conductor installation:

1. Wiring must comply with all applicable electrical codes.
2. Turn off power before removing or installing disconnect.
3. Strip wires to 3/8 inch (9,5 mm).
4. Grip black ballast wire firmly and push conductor into white cap port marked with black circle.
5. Grip white ballast wire firmly and push conductor into same side of connector in port marked with white circle.
6. Grip black supply wire firmly and push conductor into port opposite black ballast wire.
7. Grip white supply wire firmly and push conductor into remaining port.
8. Repeat for third set of wires on model 103. Third port is marked with dashed black line.
9. Use only one conductor per port and *assure that no copper is exposed on any of the wires inserted.*
10. See disconnect de-mate/mate installation instructions below when replacing ballasts.
11. The wire insertion side of this product is listed for ONE TIME USE ONLY. DO NOT REMOVE AND REPLACE WIRES.



COPPER TO COPPER ONLY. Do not use on Aluminum. Temperature rating: 105 C (221F) maximum. Flame Rated UL94V-0.

This disconnect is rated for the following voltage/current combinations:

- 120 Volts 3 Amps
- 277 Volts 1.3 Amps
- 347 Volts 1 Amps
- 480 Volts 0.75 Amps
- 600 Volts 0.60 Amps

This disconnect can be used with other voltages below 480V. The current rating for other voltages can be determined by dividing 360W by the specific voltage.

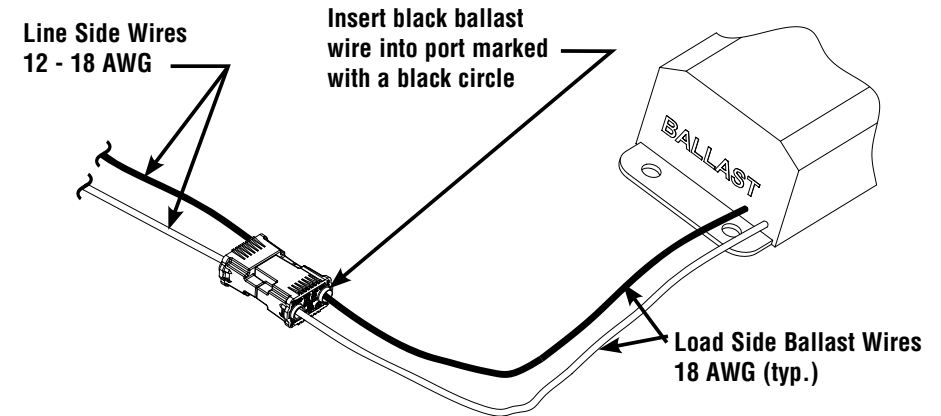
Example: 360W — 120 Volts = 3.0 Amps.

Wire Range:

- Solid: 12-18 AWG
- Stranded: 12-14 AWG (19 Strand or less)
- Stranded Tin Bonded: 14 AWG (19 Strand or less)
16 AWG (26 Strand or less)
18 AWG (16 Strand or less)

Disconnect de-mate / mate installation

1. To de-mate, grasp disconnect at each end and pull apart to separate the disconnect halves. Do NOT pull on wires.
2. To mate the disconnect, grasp each disconnect half, align halves, and push together.
3. Completed connection should appear as shown.



! DANGER

NEVER remove wires from product as contact with electricity can cause serious injury or death. Shut off power at the circuit breaker or remove fuse when installing this product.

! SAFETY NOTICE

Improperly installed electrical wiring can be dangerous and cause electrical fires. This product must be used in accordance with the current rating and wire sizes listed. Consult local building code before doing any electrical work.

IDEAL INDUSTRIES, INC.

Becker Place
Sycamore, IL 60178, U.S.A.
800-435-0705 Customer Assistance
www.idealindustries.com

ND 6184-5