



L.T.F.

Dimmable LED Driver

**18W DA18W-3001-1 120V Series
400mA Constant Current**



Efficiency	> 80%
Power Factor	> 0.90
Case TC	90C° Max.
Protection	Input / Output
Storage	-30°C / +90°C
Humidity	95% RH Max.
Class	Class 2 Power Supply
Dimming	ELV, Triac



FEATURES

- High performance LED driver
- Fully dimmable with ELV & Triac dimmers 0-100%
- Flicker free dimming
- Title 24 Compliant, AAA rating
- Aluminum casing for optimal heat dissipation
- Isolated output power per NEC and UL safety requirements
- UL & ETL recognized/ listed, meets UL 8750, 1310 requirements
- Auto-reset; short circuit, overload and thermal protection
- Low profile, small form factor, junction box mountable
- Class 2 power supply
- Efficient, High power factor > 0.90

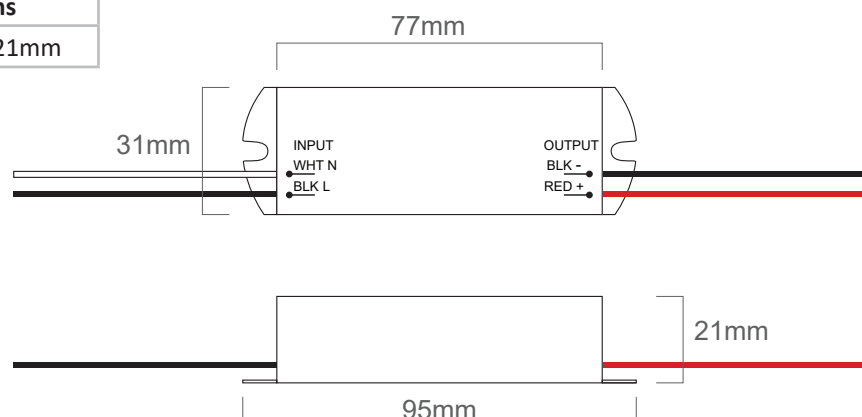
ELECTRICAL SPECIFICATIONS

Model #	Input Voltage (Nominal)	Input Voltage (Min.-Max.)	Wattage	Output Current	Load
DA18W400C2742-3001-1	120V AC, 0.17A 60Hz	90V-132V AC, 60Hz	18W	400 mA	27V - 42V DC LED

MECHANICAL SPECS

Form Factor	Dimensions
"T11"	95 (77) x 31 x 21mm

T11



L.T.F., L.L.C. PHONE: (847) 498-5832 FAX: (773) 337-5628 EMAIL: LTFsales@lfttechnology.com

Company's Address: 11966 Oak Creek Pkwy. Unit H Huntley IL 60142 U.S.A. www.lfttechnology.com

© L.T.F., L.L.C. All rights reserved. L.T.F. reserves the right to change specification for product improvements without notification.