

Dimming Guide

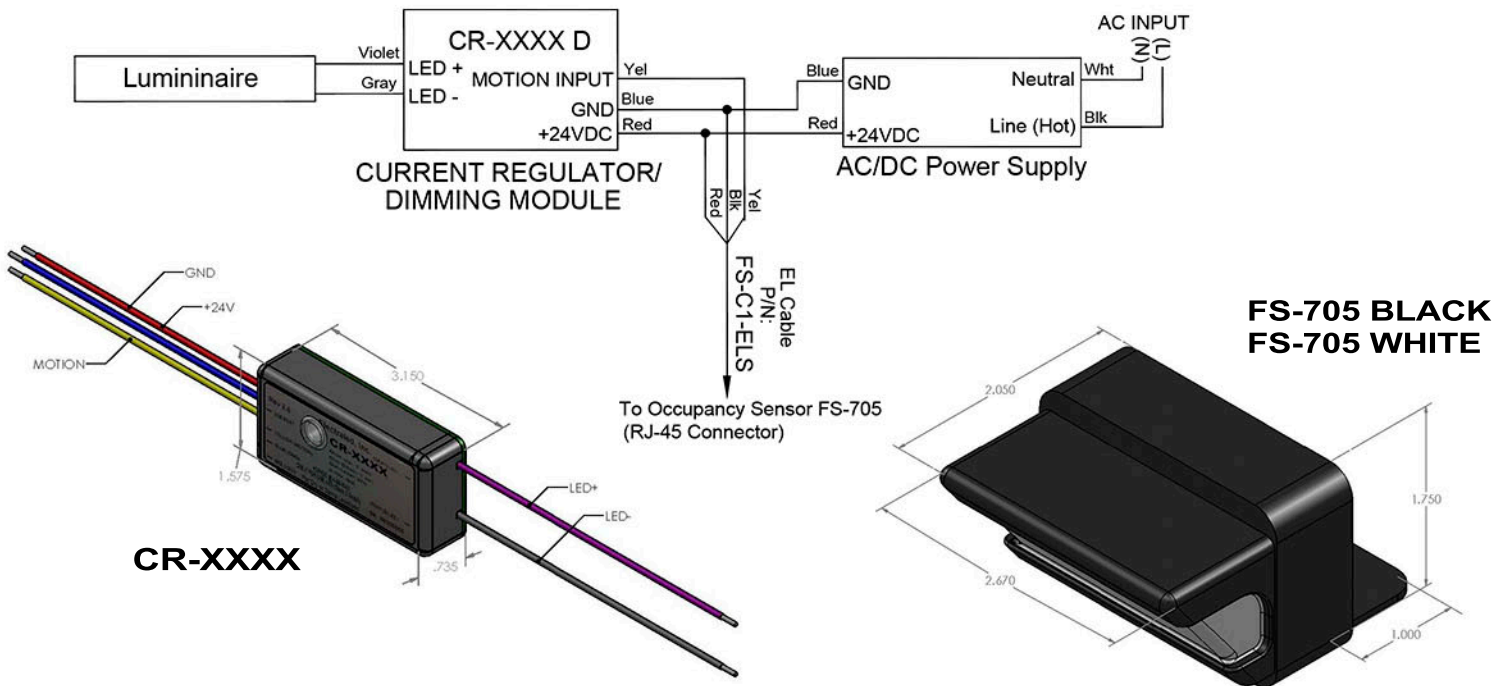
ECLIPSE™

LUNAR ECLIPSE OCCUPANCY DIMMING

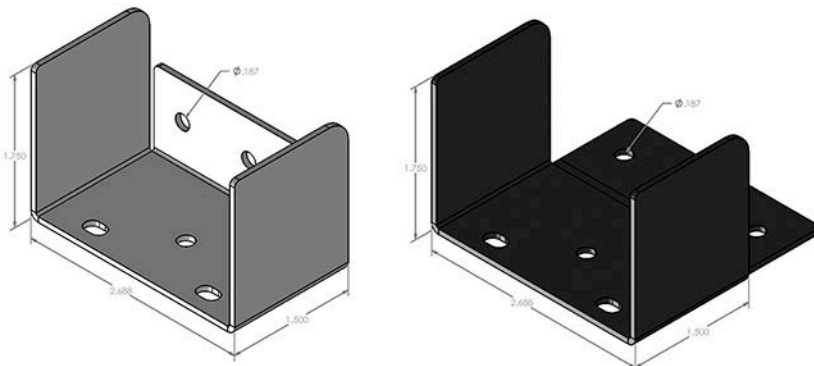
Regulator / Dimming Module

Model	Brand	Details	Input Voltage (VDC)	Output Voltage (VDC)	Output Current (mA)	Dimming Type	Device Efficiency
CR-XXXX(D)	ElectraLED	Current Regulator	24	12-23.5	300-3600	0-10 VDC or Motion Sensor	>90%

WIRING DIAGRAM



FS-705 MOUNTING BRACKETS



**EL-2003 WHITE
EL-2003 BLACK**

**EL-2007 BLACK
EL-2007 WHITE**



EL-S-WIREKIT
RJ-45 connector
+ 20' of wire