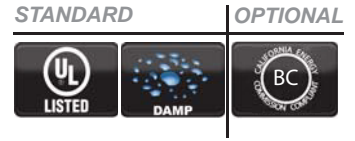


BAL1400LPTD

LOW PROFILE FLUORESCENT EMERGENCY BALLAST 1400 LUMENS



ILLUMINATION

- Works with or without an AC ballast to convert new or existing fluorescent fixtures into unobtrusive emergency lighting.
- Operates one or two lamps in the emergency mode for a minimum of 90-minutes.
- Provides a maximum initial lumen output of 1400 lumens.

ELECTRICAL

- Dual 120/277 voltage.
- Charge rate/power "ON" LED indicator light and push-to-test switch for mandated code compliance testing.
- 12V long life, maintenance-free, rechargeable sealed NiCd battery.
- Internal solid-state transfer switch automatically connects the internal battery to fluorescent lamp for minimum 90-minute emergency illumination.
- Fully automatic solid-state, two rate charger initiates battery charging to recharge a discharged battery in 24 hours.
- Time delay enhancement to overcome end-of-life circuit protection.

MOUNTING

- Suitable for installation inside, on top or in remote* of the fixture.
- Can be used in both switched and unswitched fixtures.
- UL Listed for factory or field installation.

HOUSING

- Low profile galvanized steel construction.
- Compact design fits most fluorescent fixtures.

OPTIONS

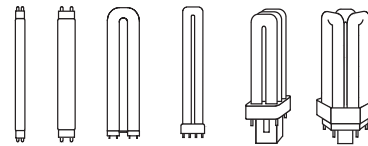
- CEC: Certified to CEC under Title 20 regulations

WARRANTY / LISTING

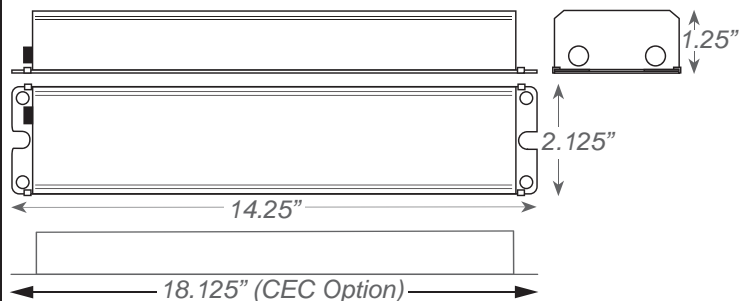
- Five year warranty against defects in material and workmanship (lamps excluded).
- Meets UL924, NFPA 101 Life Safety Code, NEC, OSHA, Local and State Codes.
- UL Listed for damp locations (0°C – 50°C).

LAMP COMPATIBILITY

- Compatible with most one-, two-, three-, and four-lamp electronic standard and dimming AC ballasts.
- Operates one or two T5, T5HO, T8, T12, T8HO, T12HO, Circular T5/T9, U-bend T8/T12, 4-Pin CFL and long CFL lamps in emergency mode. Refer to the chart below for a list of compatible lamps



DIMENSIONS



LAMP COMPATIBILITY CHART

* When battery packs are remote mounted, the remote distance cannot exceed 1/2 of the distance from ballast to lamp specified by the A.C. ballast manufacturer. The maximum allowable remote mounting distance is 50 feet.

NOTE: In 2-lamp operation, lumens are equally split between the two lamps.

NOTE: Refer to the spec sheet for complete chart.

WATTS	LAMP TYPE	INITIAL LUMENS	
		1-LAMP	2-LAMP
14	T5	800	850
21	T5	900	1025
28	T5	1250	N/A
39	T5HO	1300	N/A
54	T5HO	1350	N/A
17	T8	1050	1100
25	T8	1250	1300
32	T8	1300	1350
40	T8	1350	1400
59	T8	1400	N/A
86	T8HO	1400	N/A
20	T12	700	800
25	T12	800	850
30	T12	900	975

WATTS	LAMP TYPE	INITIAL LUMENS	
		1-LAMP	2-LAMP
34	T12	950	1025
40	T12	1050	1100
75	T12	1300	N/A
85	T12	1400	N/A
95	T12HO	1400	N/A
110	T12HO	1400	N/A
160	T12HO	1400	N/A
215	T12HO	1400	N/A

EMERGENCY BACKUP

BAL1400LPTD