



L.T.F Low Voltage Electronic Power Supply

60W 12V AC/DC

TA60WA12 and TU60WA12 Series &
TA60WD12 and TU60WD12 Series



Efficiency	higher than 85%
Power Factor	>98%
Case TC*	90C° Max
Protection	Input/ Output
Storage	-30°C/ +90C°
Humidity	95% RH max
IP Rating	IP 60
Standard Dimming	ELV Dimmable
Special Dimming	Dimming Loop (DL)
Special Dimming	0-10V Dimming (D10)
Class	Class 2



FEATURES

- No load technology, works with both Halogen & LED AC loads **
- Isolated output power per NEC and UL safety requirements
- UL recognized/listed Class 2 power supply, meet UL 2108 requirements
- Auto-reset; Short circuit, Overload and Thermal protection
- Soft start
- Dimmable
- Low profile, small compact design to fit in most enclosures

ELECTRICAL SPECIFICATIONS

120V					
Model #	Input Voltage	Input Current	Output Voltage	Weight	Load Type
TA60WA12	120V AC 50/60Hz	0.5 A	12V AC	80g	Incandescent & Halogen Bulbs
TA60WA12LED	120V AC 50/60Hz	0.5 A	12V AC	80g	AC LED Bulbs, Incandescent & Halogen Bulbs
TA60WD12LED	120V AC 50/60Hz	0.5 A	12V DC	80g	LED Strips, LED Bulbs, Incandescent & Halogen Bulbs
TA60WA12DL	120V AC 50/60Hz	0.5 A	12V AC	80g	Incandescent & Halogen Bulbs
TA60WA12LEDDL	120V AC 50/60Hz	0.5 A	12V AC	170g	AC LED Bulbs, Incandescent & Halogen Bulbs
TA60WD12LEDDL	120V AC 50/60Hz	0.5 A	12V DC	170g	LED Strips, LED Bulbs, Incandescent & Halogen Bulbs
TA60WA12LEDD10	120V AC 50/60Hz	0.5 A	12V AC	170g	AC LED Bulbs, Incandescent & Halogen Bulbs
TA60WD12LEDD10	120V AC 50/60Hz	0.5 A	12V DC	170g	LED Strips, LED Bulbs, Incandescent & Halogen Bulbs

120V Remote					
Model #	Input Voltage	Input Current	Output Voltage	Weight	Load Type
TA60WA12LEDRE	120V AC 50/60Hz	0.5 A	12V AC	402g	AC LED Bulbs, Incandescent & Halogen Bulbs
TA60WA12LEDREO	120V AC 50/60Hz	0.5 A	12V AC	542g	AC LED Bulbs, Incandescent & Halogen Bulbs

* Under confirmed thermal condition



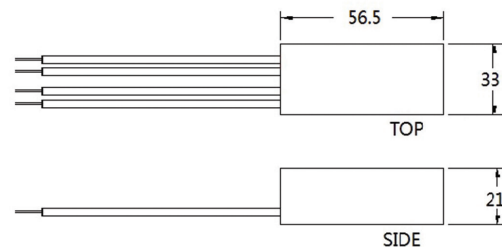
220-240V					
Model #	Input Voltage	Input Current	Output Voltage	Weight	Load Type
TU60WA12	220-240V AC 50/60Hz	0.27 A	12V AC	80g	Incandescent & Halogen Bulbs
TU60WA12LED	220-240V AC 50/60Hz	0.27 A	12V AC	80g	AC LED Bulbs, Incandescent & Halogen Bulbs
TU60WD12LED	220-240V AC 50/60Hz	0.27 A	12V DC	170g	LED Strips, LED Bulbs, Incandescent & Halogen Bulbs
TU60WA12DL	220-240V AC 50/60Hz	0.27 A	12V AC	80g	Incandescent & Halogen Bulbs
TU60WA12LEDDL	220-240V AC 50/60Hz	0.27 A	12V AC	80g	AC LED Bulbs, Incandescent & Halogen Bulbs
TU60WD12LEDDL	220-240V AC 50/60Hz	0.27 A	12V DC	170g	LED Strips, LED Bulbs, Incandescent & Halogen Bulbs
TU60WA12LEDD10	220-240V AC 50/60Hz	0.27 A	12V AC	80g	AC LED Bulbs, Incandescent & Halogen Bulbs
TU60WD12LEDD10	220-240V AC 50/60Hz	0.27 A	12V DC	170g	LED Strips, LED Bulbs, Incandescent & Halogen Bulbs

220-240V Remote					
Model #	Input Voltage	Input Current	Output Voltage	Weight	Load Type
TU60WA12LEDRE	220-240V AC 50/60Hz	0.27 A	12V AC	402g	AC LED Bulbs, Incandescent & Halogen Bulbs
TU60WA12LEDREO	220-240V AC 50/60Hz	0.27 A	12V AC	542g	AC LED Bulbs, Incandescent & Halogen Bulbs
TU60WD12LEDRE	220-240V AC 50/60Hz	0.27 A	12V DC	492g	LED Strips, LED Bulbs, Incandescent & Halogen Bulbs
TU60WD12LEDREO	220-240V AC 50/60Hz	0.27 A	12V DC	632g	LED Strips, LED Bulbs, Incandescent & Halogen Bulbs
TU60WA12LEDD10RE	220-240V AC 50/60Hz	0.27 A	12V AC	402g	AC LED Bulbs, Incandescent & Halogen Bulbs
TU60WA12LEDD10REO	220-240V AC 50/60Hz	0.27 A	12V AC	542g	AC LED Bulbs, Incandescent & Halogen Bulbs
TU60WD12LEDD10RE	220-240V AC 50/60Hz	0.27 A	12V DC	492g	LED Strips, LED Bulbs, Incandescent & Halogen Bulbs
TU60WD12LEDD10REO	220-240V AC 50/60Hz	0.27 A	12V DC	632g	LED Strips, LED Bulbs, Incandescent & Halogen Bulbs

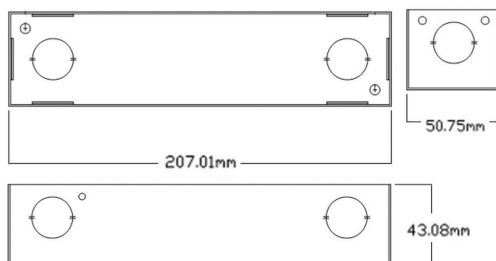
MECHANICAL SPECS. AC MODELS

Available Form Factors	Dimensions
Standard "B2"	56.5X33X21mm
"G1"	207X50.8X43.1mm
"G4"	238X66X48mm

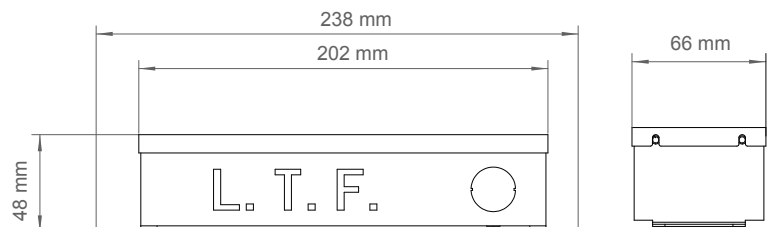
B2 - STANDARD



G1 - REMOTE(RE) MODELS ONLY



G4 - REMOTE (REO) MODELS ONLY

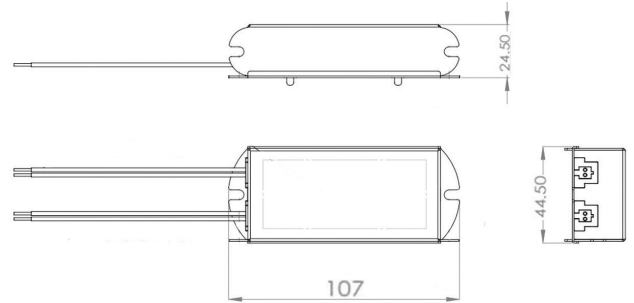




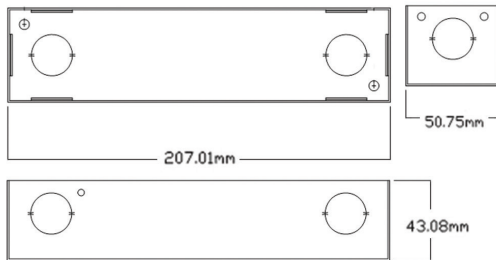
MECHANICAL SPECS. DC MODELS

Available Form Factors	Dimensions
Standard "E"	107X44.5X24.5mm
"G1"	207X50.8X43.1mm
"G4"	238X66X48mm

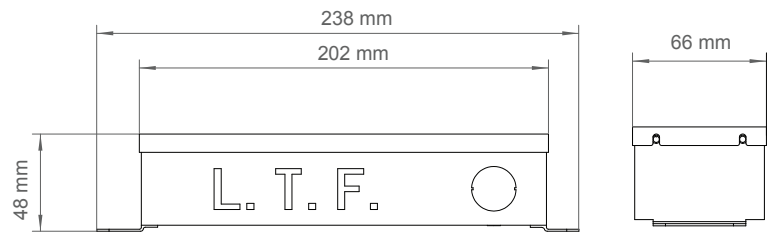
E - STANDARD



G1 - REMOTE(RE) MODELS ONLY



G4 - REMOTE (REO) MODELS ONLY





L.T.F

Low Voltage Electronic Power Supply



60W AC/DC

TA60WA12 Series, TE60WA12 Series &
TA60WD12 Series, TE60WD12 Series



Efficiency	higher than 85%
Power Factor	>98%
Case TC*	90°C Max
Protection	Input/ Output
Storage	-30°C/ +90°C
Humidity	95% RH max
IP Rating	IP 60
Dimming	ELV Dimmable
Class	Class 2



FCC Part 15
Class B compliant



FEATURES

- No load technology, works with both Halogen & LED AC loads **
- Isolated output power per NEC and UL safety requirements
- UL recognized/listed Class 2 power supply, meet UL 2108 requirements
- FCC Part B rated
- Auto-reset; Short circuit, Overload and Thermal protection
- Soft start
- Dimmable
- Low profile, small compact design to fit in most enclosures

ELECTRICAL SPECIFICATIONS

120V						
Model #	Input Voltage	Input Current	Output Voltage	Weight	Load Type	
TA60WA12LED65B15	120V AC 50/60Hz	0.5 A	12V AC	137.5g	AC LED Bulbs, Incandescent & Halogen Bulbs	
TA60WD12LED65B15	120V AC 50/60Hz	0.5 A	12V DC	137.5g	LED Strips, LED Bulbs, Incandescent & Halogen Bulbs	
TA60WA12LED65B15D010	120V AC 50/60Hz	0.5 A	12V AC	137.5g	AC LED Bulbs, Incandescent & Halogen Bulbs	
TA60WD12LED65B15D010	120V AC 50/60Hz	0.5 A	12V DC	137.5g	LED Strips, LED Bulbs, Incandescent & Halogen Bulbs	

120V Remote						
Model #	Input Voltage	Input Current	Output Voltage	Weight	Load Type	
TA60WA12LED65B15RE	120V AC 50/60Hz	0.5 A	12V AC	459g	AC LED Bulbs, Incandescent & Halogen Bulbs	
TA60WA12LED65B15REO	120V AC 50/60Hz	0.5 A	12V AC	600g	AC LED Bulbs, Incandescent & Halogen Bulbs	
TA60WD12LED65B15RE	120V AC 50/60Hz	0.5 A	12V DC	459g	LED Strips, LED Bulbs, Incandescent & Halogen Bulbs	
TA60WD12LED65B15REO	120V AC 50/60Hz	0.5 A	12V DC	600g	LED Strips, LED Bulbs, Incandescent & Halogen Bulbs	
TA60WA12LED65B15D010RE	120V AC 50/60Hz	0.5 A	12V AC	459g	AC LED Bulbs, Incandescent & Halogen Bulbs	

* Under confirmed thermal condition

L.T.F. L.L.C. PHONE: (847) 498-5832 FAX: (773) 337-5628 EMAIL: sales@lfttechnology.com
Company's Address: 11966 Oak Creek Pkwy Unit H, Huntley IL 60142 U.S.A. www.lfttechnology.com

© L.T.F., L.L.C. All rights reserved. L.T.F. reserves the right to change specification for product improvements without notification



120V Remote					
Model #	Input Voltage	Input Current	Output Voltage	Weight	Load Type
TA60WA12LED65B15D010REO	120V AC 50/60Hz	0.5 A	12V AC	600g	AC LED Bulbs, Incandescent & Halogen Bulbs
TA60WD12LED65B15D010RE	120V AC 50/60Hz	0.5 A	12V DC	459g	LED Strips, LED Bulbs, Incandescent & Halogen Bulbs
TA60WD12LED65B15D010REO	120V AC 50/60Hz	0.5 A	12V DC	600g	LED Strips, LED Bulbs, Incandescent & Halogen Bulbs

277V					
Model #	Input Voltage	Input Current	Output Voltage	Weight	Load Type
TE60WA12LED65B15	277V AC 50/60Hz	0.2 A	12V AC	137.5g	AC LED Bulbs, Incandescent & Halogen Bulbs
TE60WD12LED65B15	277V AC 50/60Hz	0.2 A	12V DC	137.5g	LED Strips, LED Bulbs, Incandescent & Halogen Bulbs
TE60WA12LED65B15D010	277V AC 50/60Hz	0.2 A	12V AC	137.5g	AC LED Bulbs, Incandescent & Halogen Bulbs
TE60WD12LED65B15D010	277V AC 50/60Hz	0.2 A	12V DC	137.5g	LED Strips, LED Bulbs, Incandescent & Halogen Bulbs

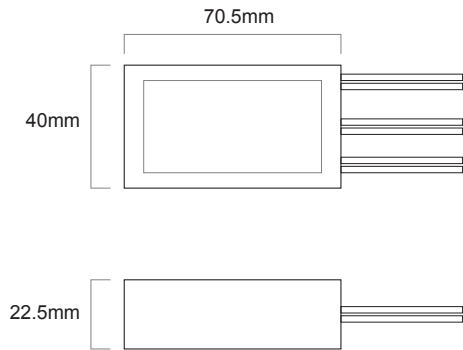
277V Remote					
Model #	Input Voltage	Input Current	Output Voltage	Weight	Load Type
TE60WA12LED65B15RE	277V AC 50/60Hz	0.2 A	12V AC	459g	AC LED Bulbs, Incandescent & Halogen Bulbs
TE60WA12LED65B15REO	277V AC 50/60Hz	0.2 A	12V AC	600g	AC LED Bulbs, Incandescent & Halogen Bulbs
TE60WD12LED65B15RE	277V AC 50/60Hz	0.2 A	12V DC	459g	LED Strips, LED Bulbs, Incandescent & Halogen Bulbs
TE60WD12LED65B15REO	277V AC 50/60Hz	0.2 A	12V DC	600g	LED Strips, LED Bulbs, Incandescent & Halogen Bulbs
TE60WA12LED65B15D010RE	277V AC 50/60Hz	0.2 A	12V AC	459g	AC LED Bulbs, Incandescent & Halogen Bulbs
TE60WA12LED65B15D010REO	277V AC 50/60Hz	0.2 A	12V AC	600g	AC LED Bulbs, Incandescent & Halogen Bulbs
TE60WD12LED65B15D010RE	277V AC 50/60Hz	0.2 A	12V DC	459g	LED Strips, LED Bulbs, Incandescent & Halogen Bulbs
TE60WD12LED65B15D010REO	277V AC 50/60Hz	0.2 A	12V DC	600g	LED Strips, LED Bulbs, Incandescent & Halogen Bulbs

MECHANICAL SPECS.

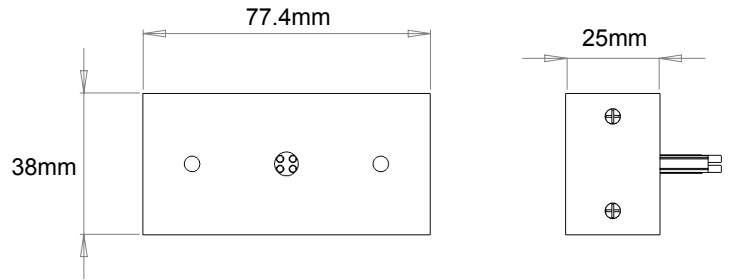
Available Form Factors	Dimensions
"B7"	70.5x40x22.5mm
"C"	77.4x25x38mm
"G1"	207X50.8X43.1mm
"G4"	238X66X48mm



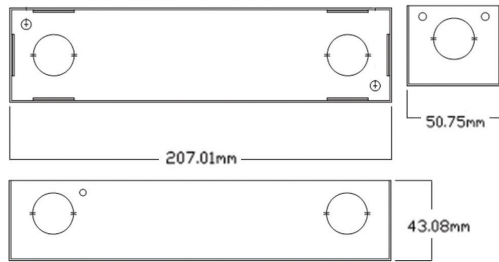
B7



C



G1 - REMOTE(RE) MODELS ONLY



G4 - REMOTE (REO) MODELS ONLY

