

# 13180-U

Medium Base, Bi-Pin, Standard Fluorescent Lampholder, U-Shaped Lamp, Slide-On Self-Aligning, Straight-In Double Edge, Quick-Connect 18AWG Solid or Str. Tinned - White



UPC Code : 078477129333

Country Of Origin : Please Contact Customer Service.

### Technical Information

**Product Features**

**Availability** : Distribution

**Color** : White

**Contact Type** : Straight-In Double Edge

**Lamp Base** : Medium

**Lamp Contacts** : Bi-Pin

**Lampholder Type** : Linear

**Light Type** : Fluorescent

**Mounting Type** : Slide-On Self-Aligning

**Panel Thickness** : 18-20 Ga. Panel

**Rated Wattage** : 660W

**Standards and Certifications** :  
UL/NOM

**Style Name** : U-Shaped Lamp

**Termination** : Quick-Connect 18AWG  
Solid or Str. Tinned

**Voltage** : 600 Volt

**Warranty** : 1 Year Limited

### Mechanical Specifications

**Availability** : Distribution

**Body Material** : Thermoset

**Color** : White

**Contact Material** : Copper-Alloy

**Contact Type** : Straight-In Double Edge

**Mounting Type** : Slide-On Self-Aligning

**Panel Thickness** : 18-20 Ga. Panel

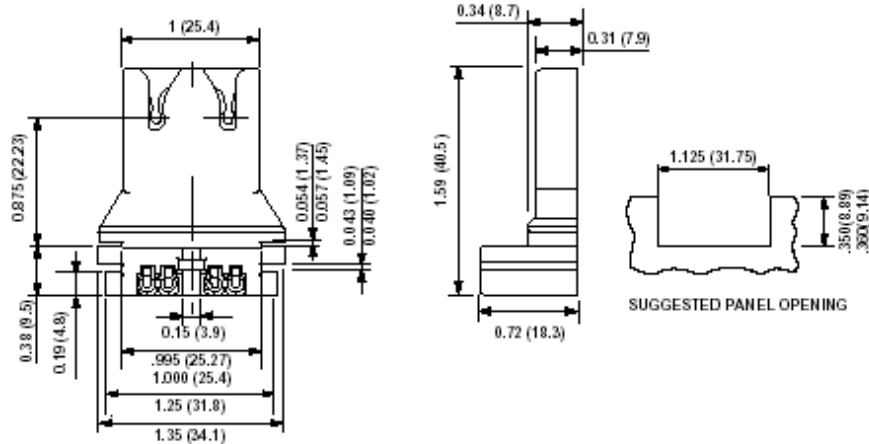
**Termination** : Quick-Connect 18AWG  
Solid or Str. Tinned

**Wire Strip Length** : 3/8 Inch

### Standards and Certifications

**NOM Certified** : 057

**UL Listed** : File E5833



### SPECIFICATION SUBMITTAL

JOB NAME:	CATALOG NUMBERS:	
<input type="text"/>	<input type="text"/>	<input type="text"/>
JOB NUMBER:	<input type="text"/>	<input type="text"/>