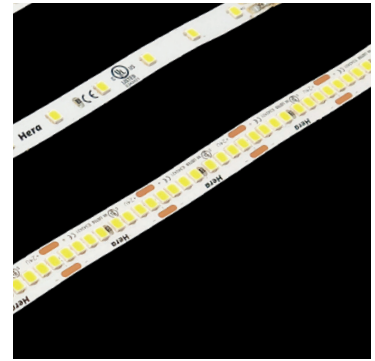
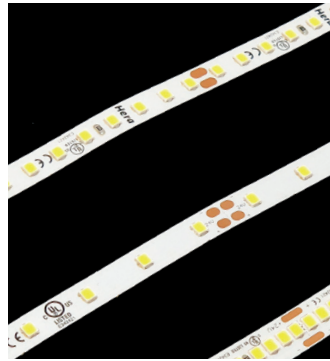


# TapeUltra-LED

NEW



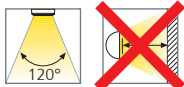
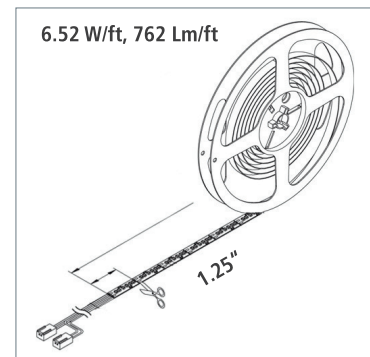
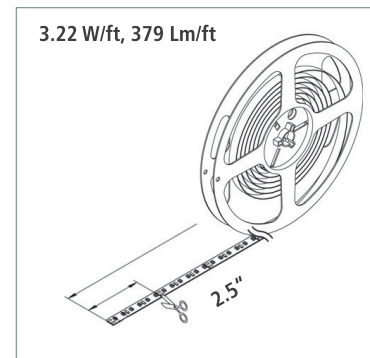
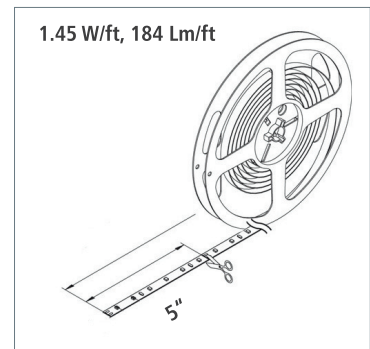
## THE NEXT GENERATION OF TAPE-LED

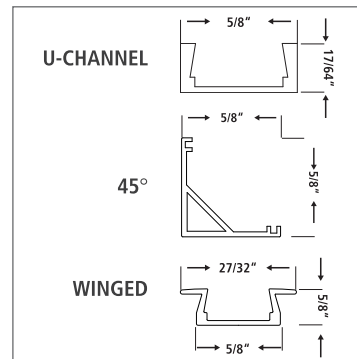
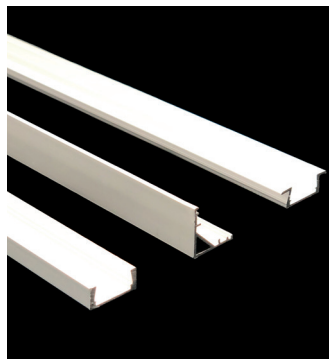
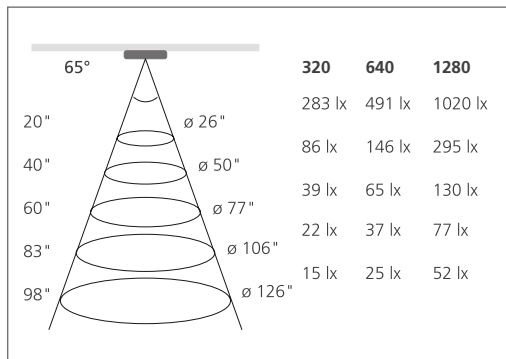
**ULTRA HIGH OUTPUT - Up to 762 lm/ft**  
**ULTRA HIGH EFFICACY - Up to 126 lm/W**  
**ULTRA LOW PRICE**

The New TapeUltra-LED is a grand leap in quality, light output and efficacy. Optimal for projects with unique design and budget requirements. TapeUltra-LED is designed to be flexible, most affordable and to raise the bar in quality.

### Product-Features

- Self-adhering, flexible LED strip
- Stocked in 196" (5m) rolls
- Can be special ordered in pre-cut lengths with soldered power cord
- Can be ordered pre-assembled with extrusion and frosted lens
- Available in three densities:
  - 320 - 125 lm/W
  - 640 - 125 lm/W
  - 1280 - 126 lm/W
- Stocked in 3000 K, 4000 K, and 6500 K
- Available in additional color temperatures, by special order
- 50,000 hours useable life
- Finish: white tape with exposed LEDs
- Excellent CRI > 90
- To be used with 24 Vdc Constant Voltage Driver





## What you'll need to buy

### Tape-LED Options (196" Roll)

| Description | W/Ft   | Light Output | Code No. 3000 K   | Code No. 4000 K   |
|-------------|--------|--------------|-------------------|-------------------|
| 320         | 1.45 W | 184 Lm/ft.   | TAPE/U3/196/3000  | TAPE/U3/196/4000  |
| 640         | 3.22 W | 379 Lm/ft.   | TAPE/U6/196/3000  | TAPE/U6/196/4000  |
| 1280        | 6.52 W | 762 Lm/ft.   | TAPE/U12/196/3000 | TAPE/U12/196/4000 |

### Cables and Connectors

| Description              | Code No.       |
|--------------------------|----------------|
| 79" Power Cord           | TAPE/B/PC79/N8 |
| Connecting Cable 2"      | TAPE/B/CC2/N8  |
| Connecting Cable 6"      | TAPE/B/CC6/N8  |
| Connecting Cable 12"     | TAPE/B/CC12/N8 |
| Power Cord Extension 39" | KB12LEDCC39/H  |
| Power Cord Extension 98" | KB12LEDCC98/H  |
| Direct Connector         | TAPE/B/DC/N8   |
| Terminal Block           | PS24V/TB       |

### Lighting Kit

| All Kits Include                | Extrusion Options |
|---------------------------------|-------------------|
| 1 x Roll of TapeUltra-LED       | U-Channel         |
| 4 x 50" Extrusions              | 45°               |
| 4 x 50" Lenses                  | Winged            |
| 1 x Power Cord w/ Quick Connect |                   |

### LED Constant Voltage Drivers

| Description          | Code No.         |
|----------------------|------------------|
| 6 Watt               | PS24V/06/S       |
| 30 Watt Daisy Driver | PS24V/30/S/D     |
| 75 Watt Daisy Driver | PS24V/75/S/D     |
| 96 Watt Daisy Driver | PS24V/96/DIM/S/D |