

WH1-120-L

Instant Start Fluorescent Ballast

- Solid State Electronic Ballast
- Input Voltage: 120VAC, 60Hz
- Instant Start
- UL Listed, Class P

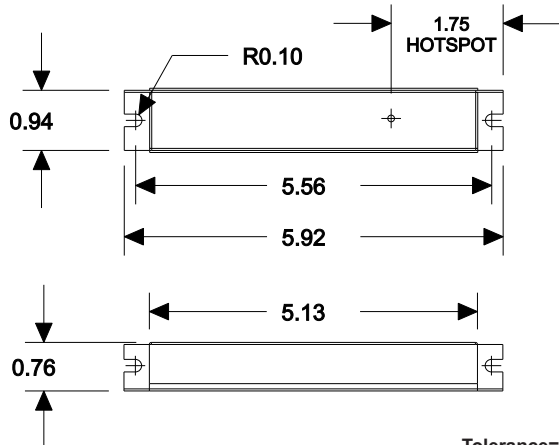
General Specifications

Input Voltage	120VAC \pm 10%, 60Hz
Power Factor	>0.9
THD	<34.6%
EMI / RFI Compliance	FCC Part 18-A
Sound Rating	"A"
Ballast Type	Instant Start
Voltage Transients	ANSI C82.11 - 1993
Input Protection	Fuse
Output Protection	-
Min. Operating Temp	-30°C (-20°F)
Max. Case Temp	70°C (158°F)
Approvals Class	UL Listed, Class "P", 1 Outdoor
Warranty	5 Years from the date of manufacture

Electrical Data

Lamp Wattage / Type	Lamps Operated	Input Wattage	Line Current	Ballast Factor	Efficacy Factor
F21T5	1	23	0.20	0.9	4.0
F14T5	1	18	0.16	0.9	5.3
F13T5	1	18	0.16	1.1	6.2
F8T5	1	12	0.11	1.3	10.8
F28T5	1	30	0.26	0.9	3.0
F11T2	2	22	0.19	0.8	3.6
F42T6	1	28	0.24	0.9	3.2
F13T2	1	17	0.15	1.0	6.0
F13T2	2	27	0.24	0.9	3.3
F6T2	1	8	0.08	1.1	13.1
F8T2	1	12	0.10	1.2	10.6
F11T2	1	14	0.13	1.1	8.0

Mechanical Data



Tolerance= \pm 0.02"

Wire Color	Length (Inches)
Black	12" \pm 1"
White	12" \pm 1"
Red	24" \pm 1"
Yellow	24" \pm 1"

Wiring configurations vary depending on the lamp type. Please refer to Fulham's Wiring Diagram Finder in the link below:

- <https://www.fulham.com/contact-us/wiring-diagrams/>