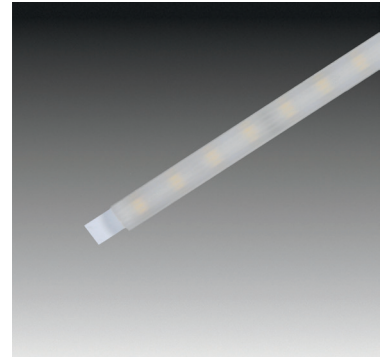


# StickVE-LED

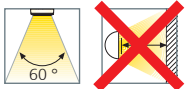
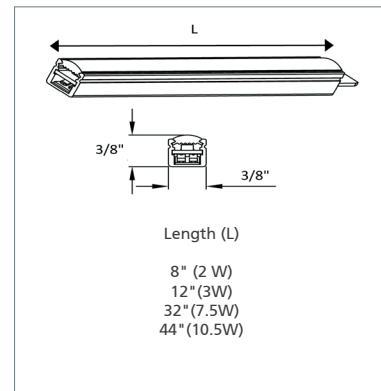


## Value Engineered Miniature Linear LED Light With Integrated Connecting System

StickVE-LED is a value engineered version of our Stick2-LED. These ultra compact strips of LED lighting have a high and even light output with no dark spots at the connecting point. Enjoy the benefits of LED technology such as lower energy consumption and a long lifetime at a lower price. The StickVE-LED is also UL EPH (NSF) approved for use in food applications.

### Product-Features

- Aluminum and plexiglas housing
- Extremely small dimensions: width:  $\frac{3}{8}$ " , height:  $\frac{5}{16}$ "
- Light fixture can be recessed (flush with board) or surface mounted
- Available in four sizes: 8" (2 W), 12" (3 W), 32" (7.5 W) and 44" (10.5 W)
- Stocked in 3000 K and 4100 K
- Available from 2700 K to 6500 K by special order
- 50,000 hours usable life
- Good CRI > 80
- Extremely high, even light output
- EPH certified to NSF/ANSI 2 for use in food zones
- Integrated magnets for installation to metal shelves
- LED connecting cables are available in 4", 12", 17", 21", 23" and 39"
- 98" Power supply cable to be ordered separately
- To be used with 24 Vdc Constant Voltage Driver
- Dimmable with optional accessories





## What you'll need to buy

### Light Fixtures

#### 3000 K

Length	Lumens	Code No.
8"	103	STICKVE/8/WW/M
12"	155	STICKVE/12/WW/M
32"	439	STICKVE/32/WW/M
44"	594	STICKVE/44/WW/M

#### 4100 K

Length	Lumens	Code No.
8"	117	STICKVE/8/CW/M
12"	175	STICKVE/12/CW/M
32"	497	STICKVE/32/CW/M
44"	672	STICKVE/44/CW/M

### LED Constant Voltage Drivers (page 48-52)

Description	Code No.
6 Watt	PS24V/06/S
30 Watt Daisy Driver	PS24V/30/S/D
75 Watt Daisy Driver	PS24V/75/S/D
96 Watt Daisy Driver	PS24V/96/DIM/S/D

### Cables and Connectors

Description	Code No.
Power Cord 98"	STICKVE/PC
Power Cord 17"	STICKVE/PC/17
Connecting Cable 4"	STICKVE/CC4
Connecting Cable 12"	STICKVE/CC12
Connecting Cable 17"	STICKVE/CC17
Connecting Cable 21"	STICKVE/CC21
Connecting Cable 23"	STICKVE/CC23
Connecting Cable 39"	STICKVE/CC39
Power Cord Extension 39"	KB12LEDCC39/H
Power Cord Extension 98"	KB12LEDCC98/H
Terminal Block	PS24V/TB

### Optional Accessories (pages 54-55)

Description	Code No.
Dimmer	STICKPSDIM/S
Dimmer Controller	DIMCONTROL/S
Distributor Cable	STICKDIM/YCABLE
Remote Control Dimmer	RCPSDIM
Cover Profile	STICK2/CP/39
Rocker Switch	PS24/SWITCH