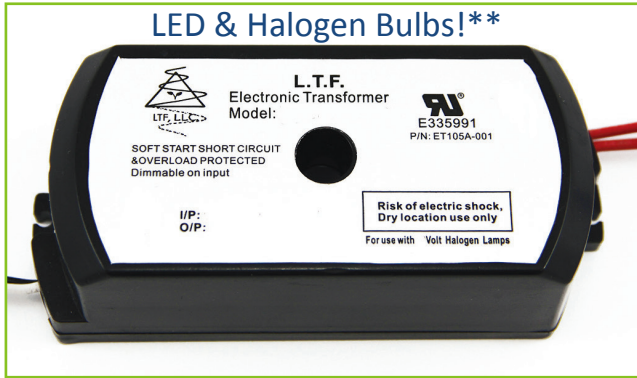




L.T.F. Low Voltage Electronic Power Supply



150W 12V AC/DC TA150WA12, TU150WA12 Series & TA150WD12, TU150WD12 Series



| | |
|------------------|---------------------|
| Efficiency | higher than 85% |
| Power Factor | >98% |
| Case TC* | 90°C Max |
| Protection | Input/ Output |
| Storage | -30°C/ +90°C |
| Humidity | 95% RH max |
| IP Rating | IP 60 |
| Standard Dimming | ELV Dimmable |
| Special Dimming | 0-10V Dimming (D10) |



FEATURES

- No load technology, works with both Halogen & LED AC loads **
- Isolated output power per NEC and UL safety requirements
- UL recognized/listed Class 2 power supply, meet UL 2108 requirements
- Auto-reset; Short circuit, Overload and Thermal protection
- Soft start
- Dimmable
- Low profile, small compact design to fit in most enclosures

ELECTRICAL SPECIFICATIONS

| 120V | | | | | |
|--------------|-----------------|---------------|----------------|--------|---|
| Model # | Input Voltage | Input Current | Output Voltage | Weight | Load Type |
| TA150WA12 | 120V AC 50/60Hz | 1.25 A | 12V AC | 240g | Incandescent & Halogen Bulbs |
| TA150WD12 | 120V AC 50/60Hz | 1.25 A | 12V DC | 240g | Incandescent & Halogen Bulbs |
| TA150WA12LED | 120V AC 50/60Hz | 1.25 A | 12V AC | 240g | AC LED Bulbs, Incandescent & Halogen Bulbs |
| TA150WD12LED | 120V AC 50/60Hz | 1.25 A | 12V DC | 240g | LED Strips, LED Bulbs, Incandescent & Halogen Bulbs |

| 120V Remote | | | | | |
|-----------------|-----------------|---------------|----------------|--------|---|
| Model # | Input Voltage | Input Current | Output Voltage | Weight | Load Type |
| TA150WA12RE | 120V AC 50/60Hz | 1.25 A | 12V AC | 713g | Incandescent & Halogen Bulbs |
| TA150WA12REO | 120V AC 50/60Hz | 1.25 A | 12V AC | 1037g | Incandescent & Halogen Bulbs |
| TA150WD12RE | 120V AC 50/60Hz | 1.25 A | 12V DC | 713g | Incandescent & Halogen Bulbs |
| TA150WD12REO | 120V AC 50/60Hz | 1.25 A | 12V DC | 1037g | Incandescent & Halogen Bulbs |
| TA150WA12LEDRE | 120V AC 50/60Hz | 1.25 A | 12V AC | 713g | AC LED Bulbs, Incandescent & Halogen Bulbs |
| TA150WA12LEDREO | 120V AC 50/60Hz | 1.25 A | 12V AC | 1037g | AC LED Bulbs, Incandescent & Halogen Bulbs |
| TA150WD12LEDRE | 120V AC 50/60Hz | 1.25 A | 12V DC | 713g | LED Strips, LED Bulbs, Incandescent & Halogen Bulbs |

* Under confirmed thermal condition



| 120V Remote | | | | | |
|-----------------|-----------------|---------------|----------------|--------|---|
| Model # | Input Voltage | Input Current | Output Voltage | Weight | Load Type |
| TA150WD12LEDREO | 120V AC 50/60Hz | 1.25 A | 12V DC | 1037g | LED Strips, LED Bulbs, Incandescent & Halogen Bulbs |
| TA150WA12D10RE | 120V AC 50/60Hz | 1.25 A | 12V AC | 713g | Incandescent & Halogen Bulbs |

| 220-240V | | | | | |
|--------------|---------------------|---------------|----------------|--------|---|
| Model # | Input Voltage | Input Current | Output Voltage | Weight | Load Type |
| TU150WA12 | 220-240V AC 50/60Hz | 0.68 A | 12V AC | 240g | Incandescent & Halogen Bulbs |
| TU150WD12 | 220-240V AC 50/60Hz | 0.68 A | 12V DC | 240g | Incandescent & Halogen Bulbs |
| TU150WA12LED | 220-240V AC 50/60Hz | 0.68 A | 12V AC | 240g | AC LED Bulbs, Incandescent & Halogen Bulbs |
| TU150WD12LED | 220-240V AC 50/60Hz | 0.68 A | 12V DC | 240g | LED Strips, LED Bulbs, Incandescent & Halogen Bulbs |

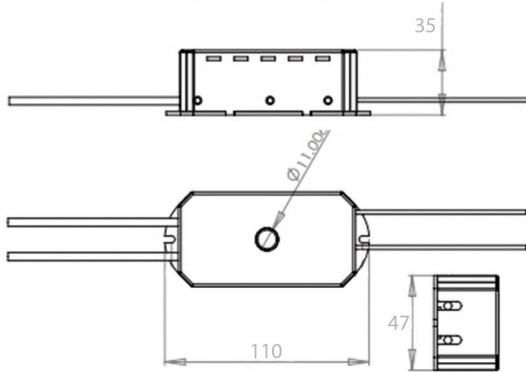
| 220-240V Remote | | | | | |
|-----------------|---------------------|---------------|----------------|--------|---|
| Model # | Input Voltage | Input Current | Output Voltage | Weight | Load Type |
| TU150WA12RE | 220-240V AC 50/60Hz | 0.68 A | 12V AC | 713g | Incandescent & Halogen Bulbs |
| TU150WA12REO | 220-240V AC 50/60Hz | 0.68 A | 12V AC | 1037g | Incandescent & Halogen Bulbs |
| TU150WD12RE | 220-240V AC 50/60Hz | 0.68 A | 12V DC | 713g | Incandescent & Halogen Bulbs |
| TU150WD12REO | 220-240V AC 50/60Hz | 0.68 A | 12V DC | 1037g | Incandescent & Halogen Bulbs |
| TU150WA12LEDRE | 220-240V AC 50/60Hz | 0.68 A | 12V AC | 713g | AC LED Bulbs, Incandescent & Halogen Bulbs |
| TU150WA12LEDREO | 220-240V AC 50/60Hz | 0.68 A | 12V AC | 1037g | AC LED Bulbs, Incandescent & Halogen Bulbs |
| TU150WD12LEDRE | 220-240V AC 50/60Hz | 0.68 A | 12V DC | 713g | LED Strips, LED Bulbs, Incandescent & Halogen Bulbs |
| TU150WD12LEDREO | 220-240V AC 50/60Hz | 0.68 A | 12V DC | 1037g | LED Strips, LED Bulbs, Incandescent & Halogen Bulbs |

MECHANICAL SPECS. FOR ALL AC PRODUCTS

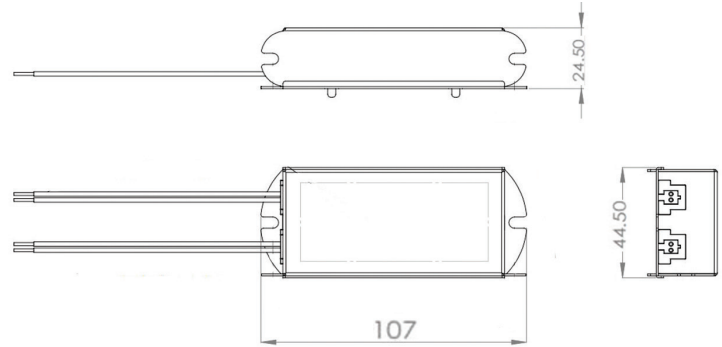
| Available Form Factors | Dimensions |
|------------------------|-------------------|
| Standard "E5" | 110X47X35mm |
| "E" | 107X44.5x24.5mm |
| "G2" | 233.1X85.5X48.9mm |
| "G3" | 280x103x56mm |



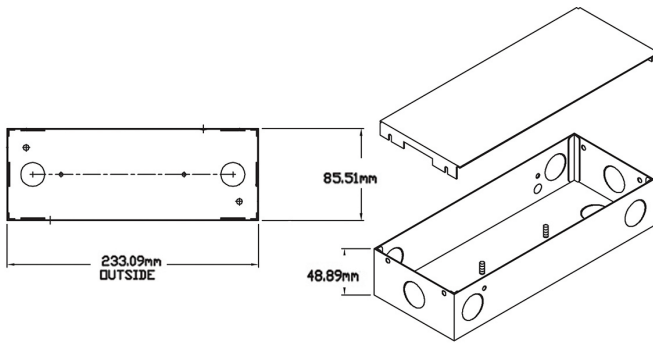
E5 - STANDARD



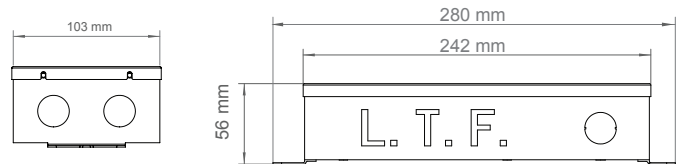
E - SPECIAL ORDER



G2 - REMOTE(RE) MODELS ONLY



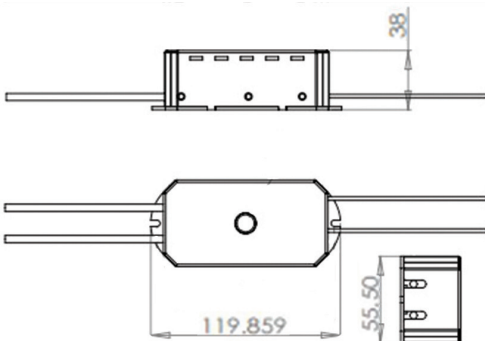
G3 - LED REMOTE (REO) MODELS ONLY



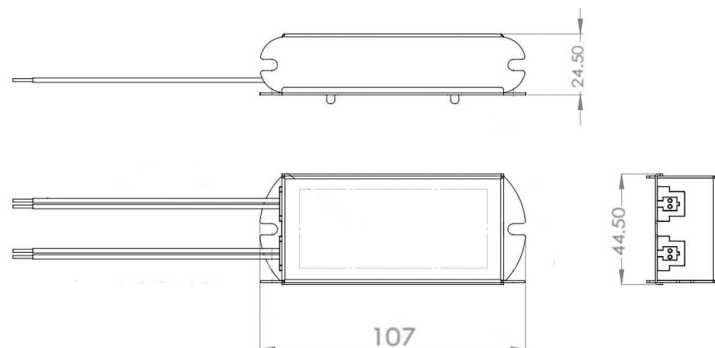
MECHANICAL SPECS. FOR ALL DC PRODUCTS

| Available Form Factors | Dimensions |
|------------------------|-------------------|
| Standard "E6" | 120X55.5X38mm |
| "E" | 107X44.5x24.5mm |
| "G2" | 233.1X85.5X48.9mm |
| "G3" | 280x103x56mm |

E6 - STANDARD

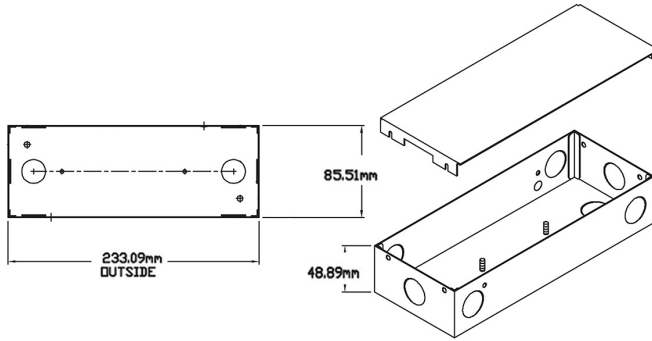


E - SPECIAL ORDER





G2 - REMOTE(RE) MODELS ONLY



G3 - LED REMOTE (REO) MODELS ONLY

