

# Dimming Guide

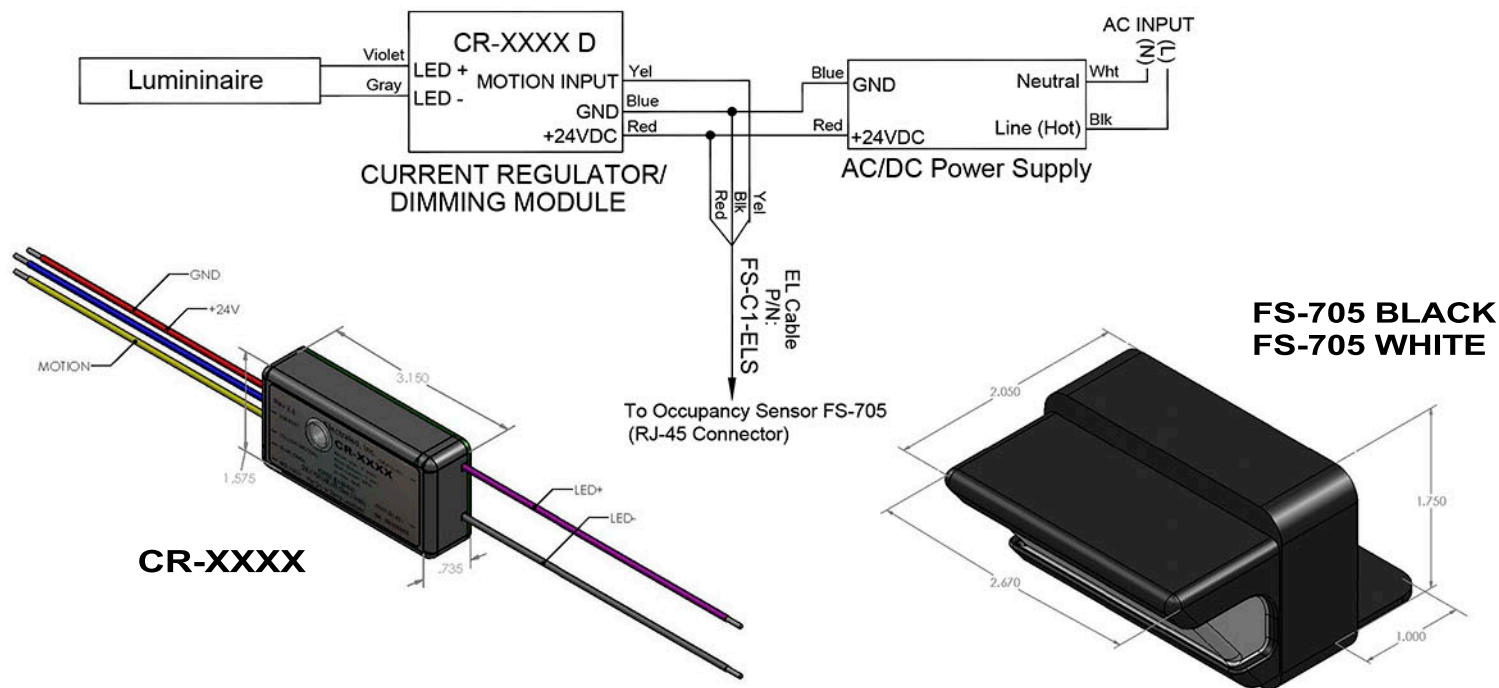
## ECLIPSE™

### LUNAR ECLIPSE OCCUPANCY DIMMING

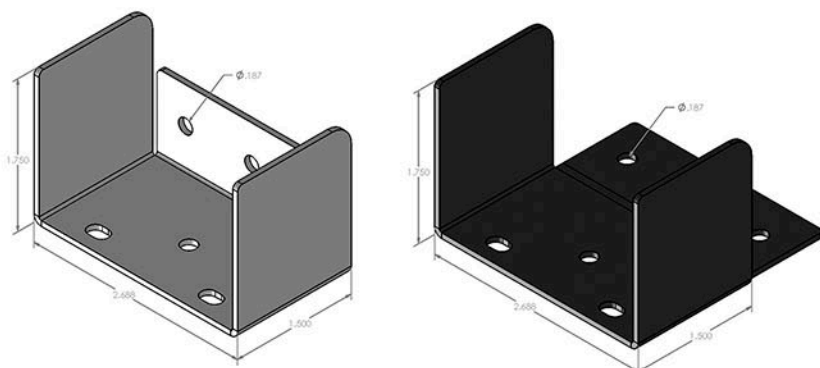
#### Regulator / Dimming Module

Model	Brand	Details	Input Voltage (VDC)	Output Voltage (VDC)	Output Current (mA)	Dimming Type	Device Efficiency
CR-XXXX(D)	ElectraLED	Current Regulator	24	12-23.5	300-3600	0-10 VDC or Motion Sensor	>90%

#### WIRING DIAGRAM



#### FS-705 MOUNTING BRACKETS



**EL-2003 WHITE**  
**EL-2003 BLACK**

**EL-2007 BLACK**  
**EL-2007 WHITE**



**ELS-WIREKIT**  
RJ-45 connector  
+ 20' of wire